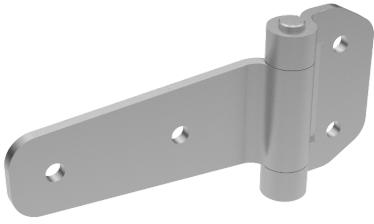


# EXTERNAL HEAVY-DUTY HINGE

## 180°



Heavy-duty rolled hinge for mounting with screws or rivets that is ideal for vehicles. The hinge-leaves are folded, designed for a flat surface mounting, and the four holes have a hole diameter of  $\varnothing 6,5$  mm. Opening angle 180°. The hinge pin is fixed.



### MATERIAL

Hinge: Steel, zinc plated

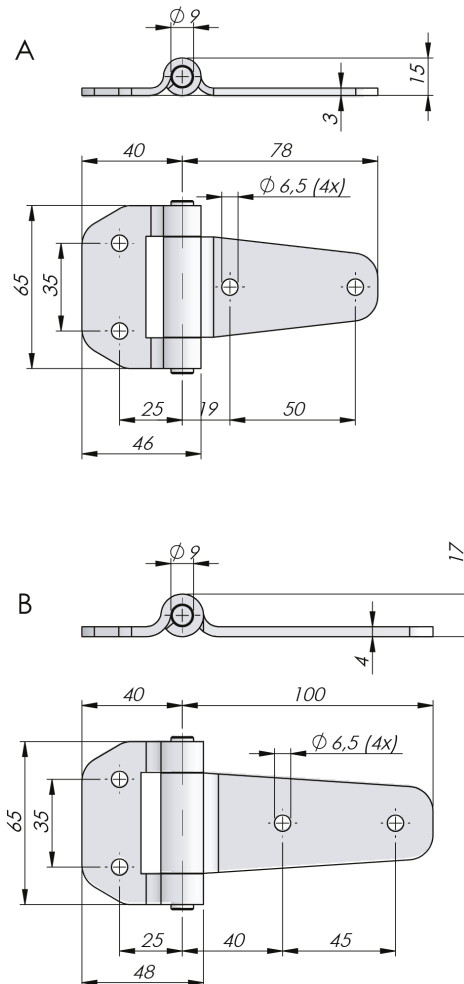
### RELATED PRODUCTS

Other materials: 6-465

Use the Index Code at [industrilas.com](http://industrilas.com)

### TECHNICAL INFORMATION

Standards: DIN EN 61373



| P/N       | Material           | Drawing |
|-----------|--------------------|---------|
| 322181-01 | Steel, zinc plated | A       |
| 322181-02 | Steel, zinc plated | B       |

**Industrilas**  
— When access counts —



